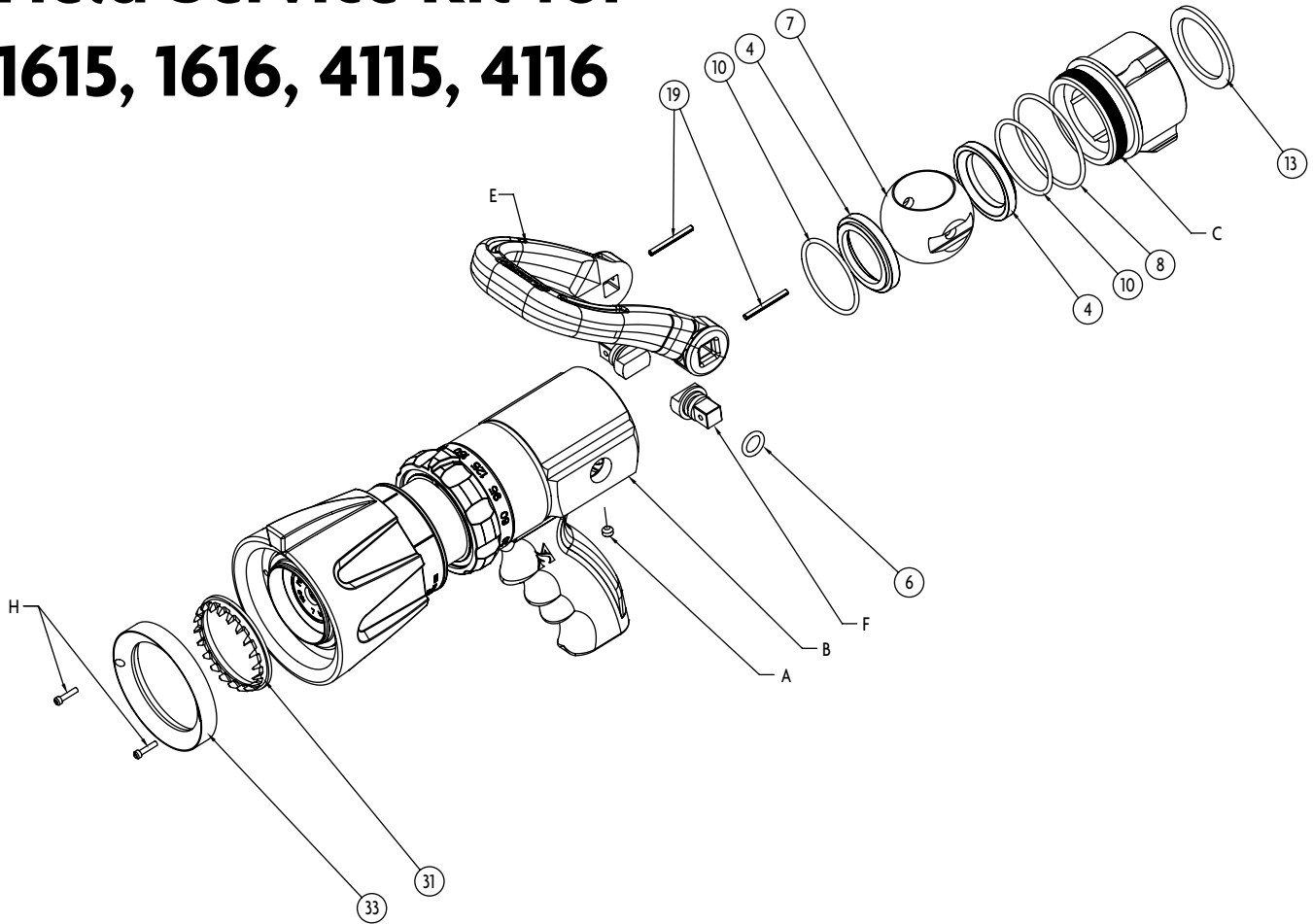


Style 911 Field Service Kit for 1615, 1616, 4115, 4116



ITEM NO.	DESCRIPTION	PART NO.	QTY.
4	SEAT UHMW	769243	2
6	O-RING 2-111	757269	2
7	CELCON BALL	704029	1
10	O-RING 2-132	757422	2
13	GASKET	717042	1
19	ROLL PIN	744062	2
31	TURBINE TEETH	772153 *	1

PARTS INCLUDED IN THIS KIT ARE NORMALLY ALL THAT ARE REQUIRED TO REPAIR LEAKS IN THE SHUT-OFF AREA. IF ADDITIONAL NOZZLE COMPONENTS ARE REQUIRED, CONTACT AKRON BRASS FOR THE APPROPRIATE SERVICE BULLETIN OR RETURN NOZZLE TO OUR FACTORY. AKRON BRASS CO. 343 VENTURE BLVD., WOOSTER OHIO 44691.

* TURBINE TEETH ARE NOT TO BE SPLIT.

FIELD SERVICE KIT INSTRUCTIONS

DISASSEMBLY

1. Remove the swivel gasket (13).
2. Remove the set screw (A) at the swivel end of the shut-off body (B). It will require a $\frac{1}{8}$ " Allen wrench for a $\frac{1}{4}$ - 20 screw.
3. For Styles 1615, 1616, 4115, and 4116, insert a tool $\frac{13}{16}$ " square, (for $1\frac{1}{2}$ " swivel adapter), into the grooves in the swivel adapter (C) and remove (counterclockwise).
4. Remove the O-Ring (8) from the inlet adapter (C).
5. Remove the seat and O-Ring (4 and 10) from the inlet adapter (C).
6. Turn the handle (E) into the closed position and remove the ball (7).
7. Mark the end of the trunnions (F) and handle so they can be reassembled in exactly the same position. (Use chalk, grease pencil. etc.).
8. Take the rivet supplied in the service parts kit and drive out the roll pins (19) securing the handle to the trunnions
9. Push the trunnions into the shutoff body until they are free. Remove the handle and trunnions.
10. Remove the O-Rings (6) from the trunnions.
11. Remove the front seat and O-Ring (4 and 10). The new seats must be installed with an O-Ring.
12. Remove the two screws (H) on the turbine retaining ring with a $\frac{3}{32}$ " or $\frac{7}{64}$ " Allen wrench.
13. Remove the turbine retaining ring (33).
14. Remove the turbine teeth (31).

ASSEMBLY

NOTE: All O-Rings must be lubricated with O-Ring grease before assembly.

1. Install the new O-Rings (4) on the new seats (10).
2. Insert one new seat with O-Ring into the shutoff body (B).
3. Install the new O-Rings (6) on the trunnions (F).
4. Place the handle (E) over the trunnions holes with the "closed" lettering facing the inlet.
5. Install the trunnions from inside the shutoff body, using the marks (Disassembly Step 7) to position properly.
6. Install the new roll pins (19) to secure the handle to the trunnions.
7. Turn the handle into the closed position and insert the new ball (7).
8. Install the other new seat with O-Ring into the recess of the inlet adapter (C or D).
9. Install the new O-Ring (8) in the shutoff body recess.
10. With the handle in the closed position, thread the inlet adapter into the shutoff body. (Continue tightening until resistance is felt when opening and closing the shutoff.)
 11. Install the new swivel gasket (13).
 12. Install the new turbine teeth (31).
 13. Line up screw holes with the holes in the nozzle body and place the turbine retaining ring (33) back into position.
 14. Install and tighten the screws (H) which secure the retaining ring.
 15. Test the nozzle with water to determine if the shutoff functions properly. If a small leak is present, tighten the swivel adapter slightly to eliminate the leak.
 16. Once the shutoff functions properly, observe the swivel adapter through the set screw hole in the shutoff body. If a full thread is visible, drill a slight recess for the set screw (using a $\frac{3}{16}$ " drill bit). Install and tighten the set screw (A).



Tested...Proven...Trusted.

ISO 9001 REGISTERED COMPANY

PHONE: 330.264.5678 or 800.228.1161 | FAX: 330.264.2944 or 800.531.7335 | akronbrass.com

REVISED: 06/14

WARRANTY AND DISCLAIMER: We warrant Akron Brass products for a period of five (5) years after purchase against defects in materials or workmanship. Akron Brass will repair or replace product which fails to satisfy this warranty. Repair or replacement shall be at the discretion of Akron Brass. Products must be promptly returned to Akron Brass for warranty service.

We will not be responsible for: wear and tear; any improper installation, use, maintenance or storage; negligence of the owner or user; repair or modification after delivery; damage; failure to follow our instructions or recommendations; or anything else beyond our control. WE MAKE NO WARRANTIES, EXPRESS OR IMPLIED, OTHER THAN THOSE INCLUDED IN THIS WARRANTY STATEMENT, AND WE DISCLAIM ANY IMPLIED WARRANTY OF MERCHANTABILITY OR FITNESS FOR ANY PARTICULAR PURPOSE. Further, we will not be responsible for any consequential, incidental or indirect damages (including, but not limited to, any loss of profits) from any cause whatsoever. No person has authority to change this warranty.

© Akron Brass Company. 2012 All rights reserved. No portion of this can be reproduced without the express written consent of Akron Brass Company.